

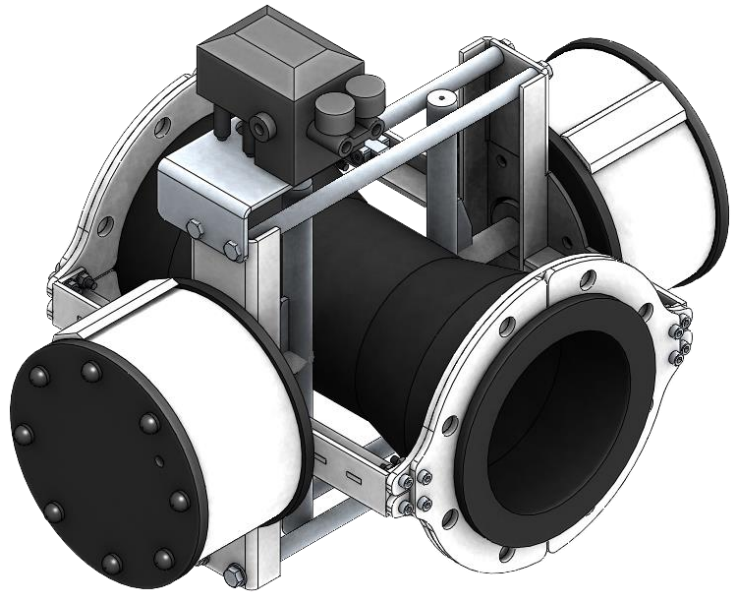
Do you have these issues with your pinch valve?

- Poor control due to the first portion of the stroke not affecting the flow area significantly?
- Poor control due to the valve being oversized and not being the controlling element of the system?

Then the eDART flash pinch valves will benefit you. eDART's pinch valves are supplied with reduced or full bore pre-pinch sleeve with a single pneumatic actuator. These valves are value engineered to give a simple, robust and low cost valve with flow control capabilities.

Features

- Compact and robust design
- The pinched slit of the double actuator pinch valve is orientated vertically so that the solids in suspension do not have to ride up over the rubber "weir" in the pinched sleeve
- Both actuators of the double actuator pinch valves are rigidly attached to the frame that is bolted to the pipeline providing a more stable valve



Standard mainline pipe sizes

- 100 mm to 250 mm

Materials of construction

- Mild steel body
- Two coat phenoline painted body
- StSt actuator shaft and positioner mounting
- Galvanised pinch bars.

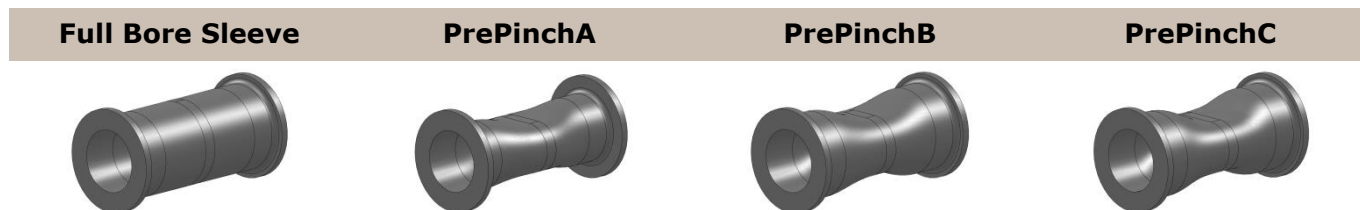
Options

- Control or on/off
- Various flange and drilling options
- Smart (HART, Profibus), electro-pneumatic (4-20mA), pneumatic (20-100kPa) positioner
- Bias spring fail closed, fail fixed or double acting actuator options

Applications

- Coarse abrasive slurries
- Slurry flow control
- Fast flotation machines
- Flash Roughers

Variations



Technical Data

	Sleeve	PrePinchA	PrePinchB	PrePinchC
80	650	620	460	220
100	1,030	990	700	
150	2,470	2,370	1,640	940
200	4,540	4,410	2,180	
250	7,330	7,050	4,600	
300	10,800	10,510		
350	14,760	14,440		
400	19,700	19,100	14,980	

Benefits

Large Actuators	Engineered Feedback	Seat Cage
The actuators are sized to provide stiff modulating capability, sufficient stroke and good resolution to improve control and stability.	The mechanical linkages are designed to provide accurate linear response and may be replaced with an internal electrical transducer within the actuator when size demands.	The replaceable cage guides the plug head where it matters and does away with troubles of slurry filled and sticky shafts guide blocks